

AIR CURTAIN (LG)

- Air heating with high capacity
- Solid and compact design
- Easy to maintain
- Energy saving



Description

Air curtains are typically applied in store entrances, hospitals and public buildings. By using a barrier of warm air, an air curtain protects building entrances from energy loss, draught, dust and insects. A properly selected and installed air curtain ensures a conditioned climate in your store, showroom or restaurant by preventing your heating or air conditioner from generating energy bursts whenever visitors enter or leave. Custom made solutions are available.

Function

A good airflow is essential for the perfect distribution of warmth and air in the room.

This optimal warmth distribution is attained by the powerful centrifugal fan-motor and adjustable outlet blade. The advised height is 2.5 metres. Warm water to be supplied by an external source, such as a boiler, central distribution network or heat pump. The air curtain is optimally used in combination with the air heater PC-600.

Technical specifications

LG Air Curtains are constructed from durable, corrosion-proof and low maintenance coated panels in the colour RAL 9016 (white). All components, including the silent twin centrifugal fans, are securely built in to the thermally and acoustically insulated casing. The fan can be adjusted to different speeds

Compliance as per the Standards stated in Machine Directive 89/336 EC (attachment 2B) and the Low Voltage Directive 73/23/EEC.

Supplied with:

- filter
- high capacity heat coil
- twin centrifugal fan
- adjustable outlet blade
- maintenance switch (optional)
- speed controller (optional)
- room thermostat (optional)



AIR CURTAIN (LG)

Technical data

Air curtain	Unit	LG-1/18	LG-2/36
Heating capacity ¹⁾	kW	20	45
Heat coil	type	WWFA-800/2	WWLG-2
Water pressure drop	kPa	5	8
Fan	type	180-178/3 FD	180-178/3 FD
Amount double fans	ea	1	2
Filter	class	G3	G3
Air volume	m ³ /h	1800	3600
Sound ²⁾	dB(A)	44	46
Weight	kg	38	76
Max. recommended height	m	2,5	2,5
Motor rating	W	90	180
Max. current	A	1	2
Electrical connection	V/ph/Hz	230/1/50	230/1/50
Dimensions (lxwxh)	mm	480x1000x300	480x2000x300
Article number	LG	991-301	991-302

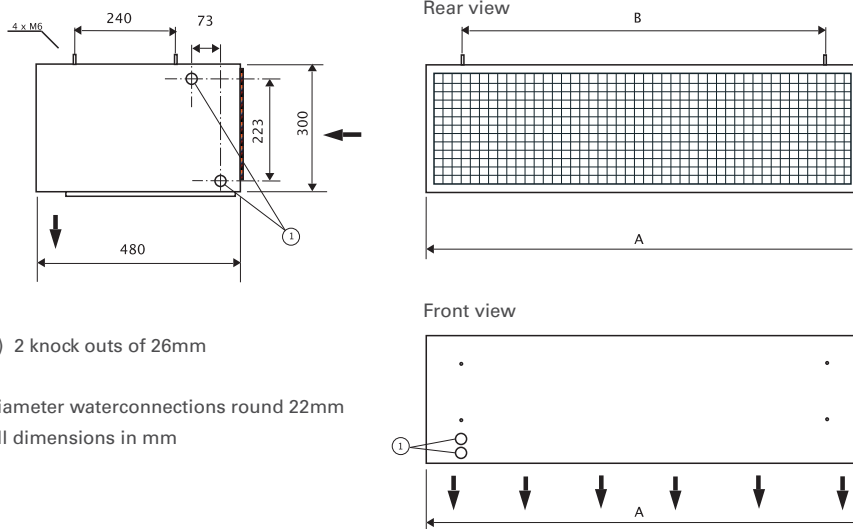
1) LPHW flow/return conditions- 90 - 70°C (other conversions available on request)

2) Sound pressure measured at 3 metre distance from the outlet nozzle ref 10e-12W. All values+/- 3 dB(A)

Product Options

Options	Type	LG-1/18	LG-2/36
Flat filter set G3	F	111-701	111-701
Room thermostat	RT-3	415-005	415-003
Maintenance switch	WS-3	411-003	411-003

Measurements



Dimensions

LG	A	B
LG 1/18	1000	835
LG-2/36	2000	1835